



HF19-0001 HSD-M 2 P H819AE2-3

**Contacting
HSD-Male**

| | |
|---------------------------|---------------|
| Centers (mm/mil) | 12,0 / 472 |
| Current (Circular) | 10,0 A |
| Current (Internal) | 3,0 A |
| Impedance [Z] | 100 Ohm |
| Frequency | 1-2 GHz |
| Temperature | -20°C...+80°C |

Spring Force (cN ±20%)

| | Preload | Nominal |
|----------------|----------------|----------------|
| Total | - | 1270 |
| Internal Cont. | 75 | 130 |
| Circular Cont. | 300 | 750 |

Travel (mm)

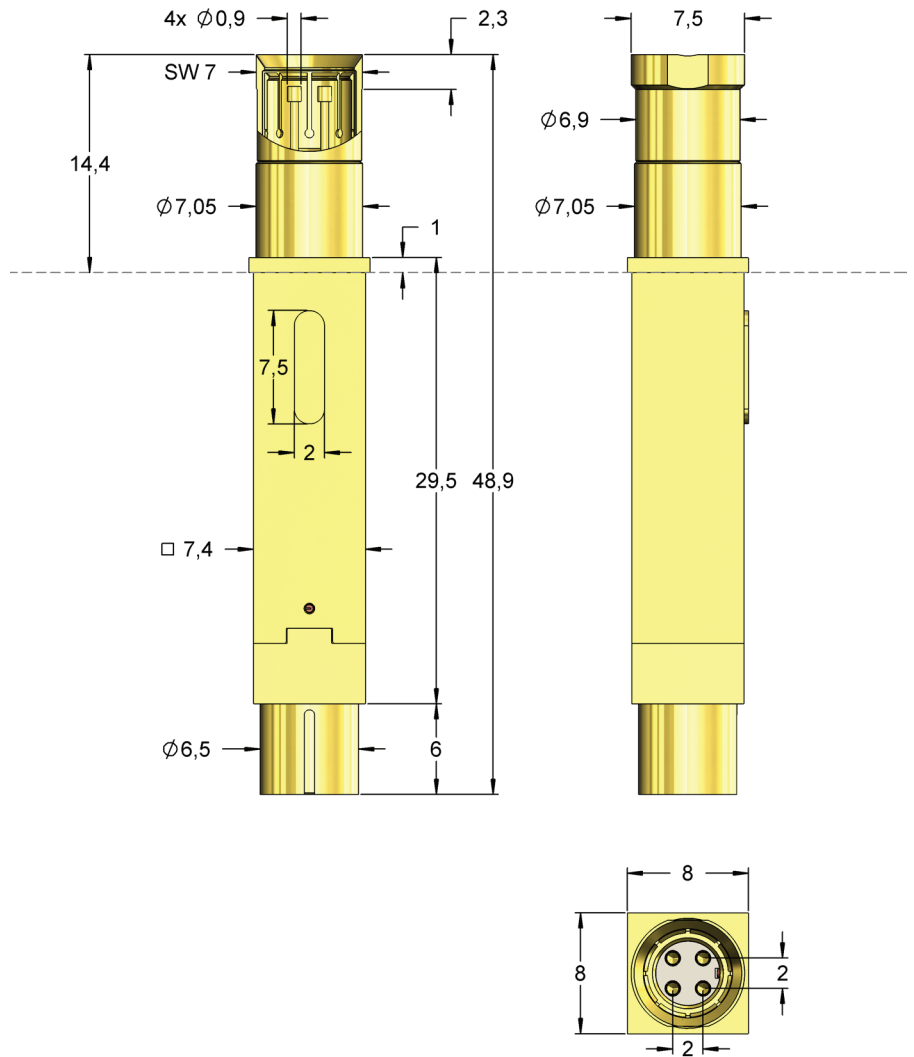
| | Nominal | Maximum |
|----------------|----------------|----------------|
| Internal Cont. | 2,0 | 3,7 |
| Circular Cont. | 5,0 | 6,0 |
| Wrench Size | | 6,0 / 7,0 |

Materials and Plating

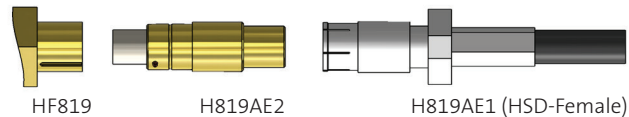
| | |
|----------------|---------------------------|
| Internal Cont. | BeCu, gold plated |
| Circular Cont. | BeCu, gold plated |
| Barrel | Brass, gold plated |
| Spring | |
| Internal Cont. | Music Wire, gold plated |
| Spring | |
| Circular Cont. | Stainless steel, unplated |

Accessories

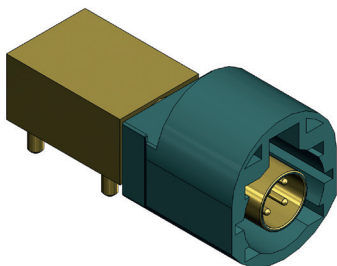
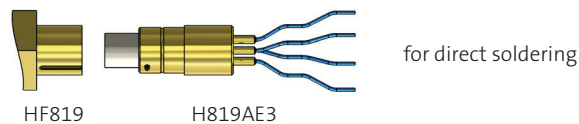
| | |
|--------------------------------|---------------------|
| Internal pin | F08605B090G130 |
| Tool for changing internal pin | FZWZ-004 / FDWZ-050 |



By combining the connection elements H819AE2 and H819AE1 a defined and reproducible measuring setup with fix parameters can be realized.



Connection units selectable



HSD-Male (D4S20A-40MLS-Z)

| Order Code | Description | Sensepin | Tip Style | Ø A | Ø B | C | H | L | Version |
|-------------------|-------------------------------|-----------------|------------------|------------|------------|----------|----------|----------|----------------|
| HF81905B0001G1270 | HF19-0001 HSD-M 2 P H819AE2-3 | | 05 | 0,90 | 7,50 | -2,30 | 14,40 | 48,90 | - |

H819AEx

Connecting Elements for HF819

Connection on both sides:

D4K- Dacar 535,
socket 4-pole, straight
Length: 500 mm (± 10 mm)

By combining the connection elements H819AE2 and H819AE1 a defined and reproducible measuring setup with fix parameters can be realized.

HF819 H819AE2 H819AE1 (HSD-Female)

Connection units selectable

for direct soldering

HF819 H819AE3

Screw connection provided for
direct soldering

HF819...M H819AE4